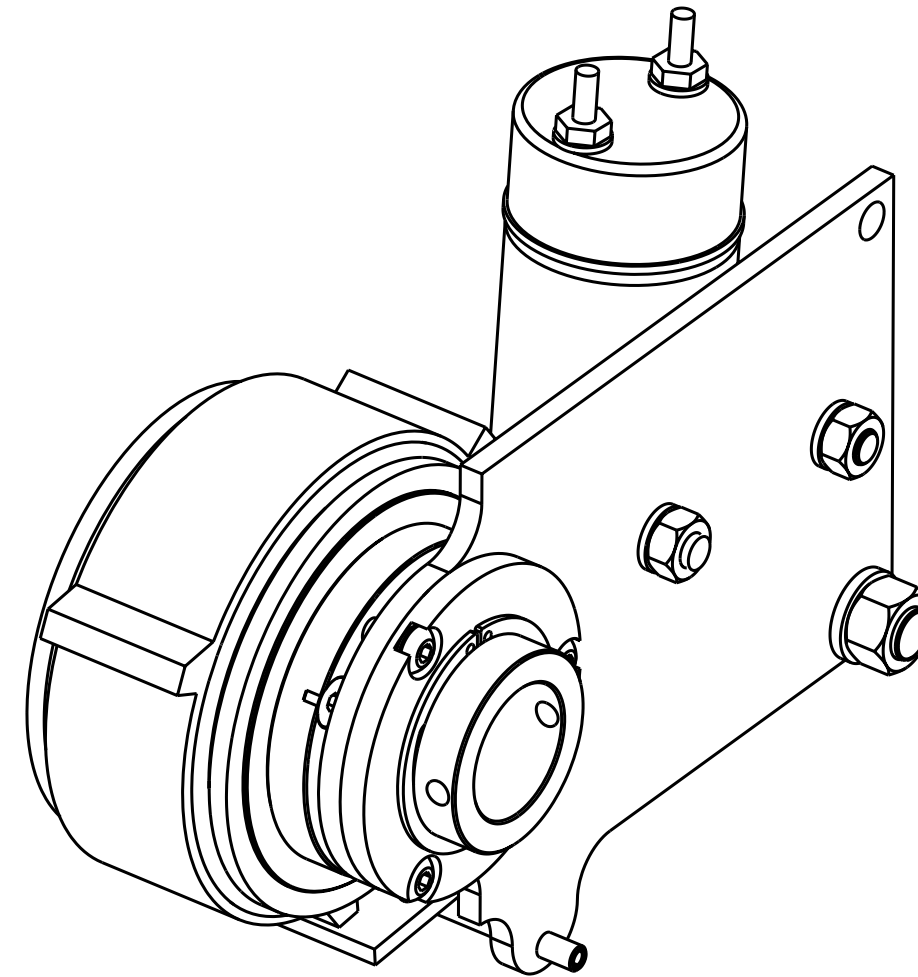
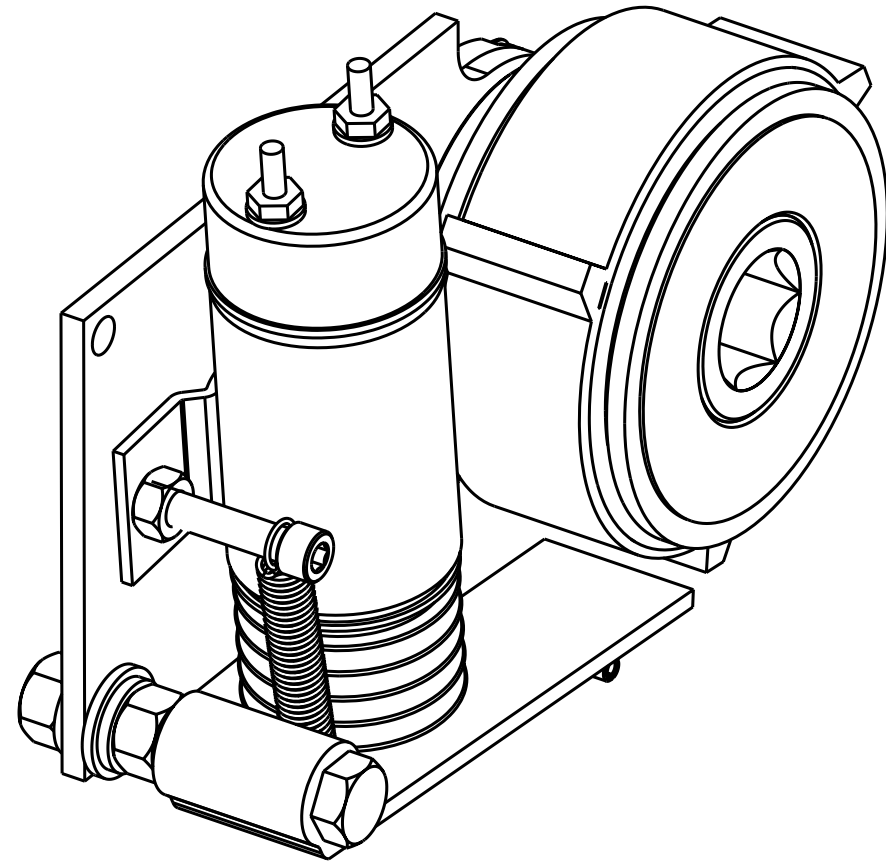
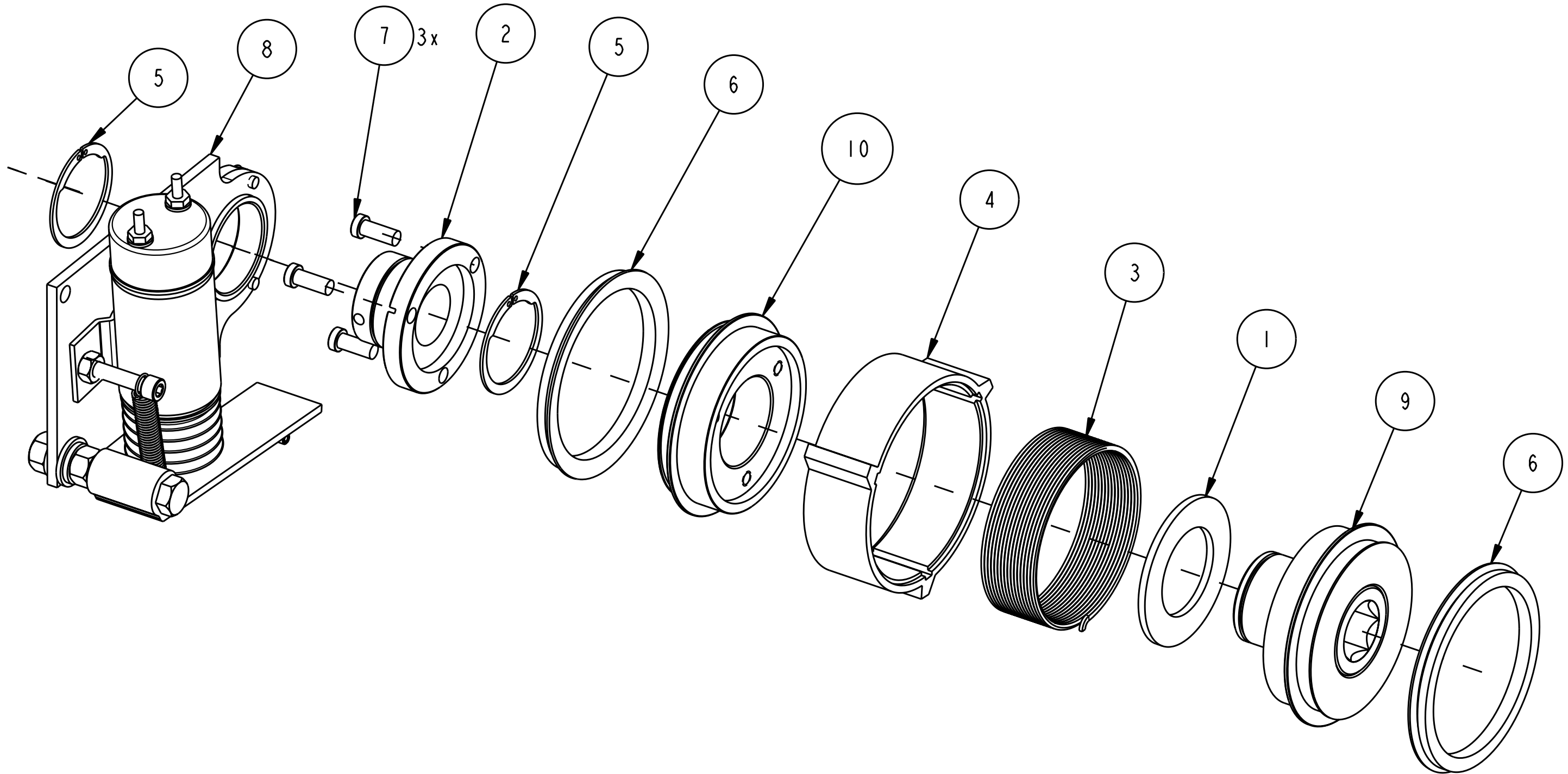


REVISIONS				
REV	EC.	DESCRIPTION	DATE	APPRVD
A	C45489	RELEASE	3/1/11	TWONG



PRO/E

		Trimble.		Trimble Navigation Limited 935 Stewart Drive Sunnyvale, California 94085	
TOLERANCES UNLESS OTHERWISE SPECIFIED		THIRD ANGLE PROJECTION		Assy drawing - SS Clutch CW from Driven End	
.X ±	mm: X ±				
.XX ±	mm: XX ±	DRAWING PREPARED IN ACCORDANCE WITH ANSI Y14.5M - 1994		SIZE	DWG. NO.
.XXX ±	ANGLES: ± °			B	TC71160-10
	SURF. FIN: ✓	DRAWN BY: TWONG		REV A	
TREATMENT:		ENGINEER: TWONG		SCALE: 0.750	SHEET: 1 OF 3


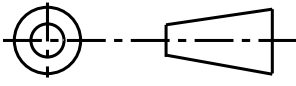


NOTE: Part numbers are subject to change
BOM for reference only

		Trimble.		Trimble Navigation Limited 935 Stewart Drive Sunnyvale, California 94085	
TOLERANCES UNLESS OTHERWISE SPECIFIED		THIRD ANGLE PROJECTION		Assy drawing - SS Clutch CW from Driven End	
.X ±	mm: X ±			DRAWING PREPARED IN ACCORDANCE WITH ANSI Y14.5M - 1994	
.XX ±	mm: XX ±				
.XXX ±	ANGLES: ± °			SIZE	DWG. NO.
SURF. FIN: ✓				B	TC71160-10
TREATMENT:		DRAWN BY: TWONG		REV A	
FINISH:		ENGINEER: TWONG		SCALE: 0.600	SHEET: 2 OF 3

1	71170-01	Slip Hub Drive	10
1	71165-00	Assy, Drive Shaft	9
1	71095-02	Assy, Solenoid Plate, Right	8
3	71228	Screw, SHCS 1/4-20 x 5/8 black oxide	7
2	71147	Seal, VA-80	6
2	69030	Snap Ring, 1.5" External inverted	5
1	68947	Catch Ring, 60000 Series	4
1	68937	Spring, LH Torsion	3
1	68907	Multi Driver	2
1	68652	Washer, Felt, 2-1/2x1-1/2x1/8	1
QTY.	PART NUMBER	DESCRIPTION	ITEM

NOTE: Part numbers are subject to change
BOM for reference only

		 Trimble Navigation Limited 935 Stewart Drive Sunnyvale, California 94085	
TOLERANCES UNLESS OTHERWISE SPECIFIED		THIRD ANGLE PROJECTION	
.X ±	mm: X ±		
.XX ±	mm: XX ±	DRAWING PREPARED IN ACCORDANCE WITH ANSI Y14.5M - 1994	
.XXX ±	ANGLES: ± °	SIZE	DWG. NO.
	SURF. FIN: <input checked="" type="checkbox"/>	B	TC71160-10
TREATMENT:		ENGINEER:	SCALE:
		TWONG	SHEET: 3 OF 3
FINISH:		TWONG	REV A